

Mounting Instructions Easylon[®] Terminator

(Order-Code: P.Z10001, P.Z10013, P.Z10023)

WARNING NOTES

- Installation should only be performed by qualified and technical experienced personnel. The device must be installed in compliance with the relevant DIN/VDE regulations or the relevant national standards.
- The connection to the network must be performed in accordance with VDE 0100 and VDE 0160. Take care that supply voltage in link power supply network is approximately 42 Volts.
- Trouble-free and safe operating of the unit is dependent on proper transport and storage, as well as installation by qualified personnel.

INSTALLATION

- The Easylon Terminator is a built-in device and must therefore be installed in a distributor box or a control cabinet. The unit can be snapped onto DIN EN 50022-35*15 or DIN EN 50022-35*7,5 rails.
- Connect the Easylon Terminator to the LonWorks network with the screw connectors 1 and 2 or 3 and 4 (cf. Wiring Diagram). Connectors 1 and 3 and respectively 2 and 4 are internally connected.

DESCRIPTION

The Easylon Terminator is used for proper bus termination in LonWorks networks according to Echelon's guidelines. Take care, that different types of terminators are necessary for TPT, FTT in bus topology and FTT in free topology are needed.

TECHNICAL SPECIFICATIONS

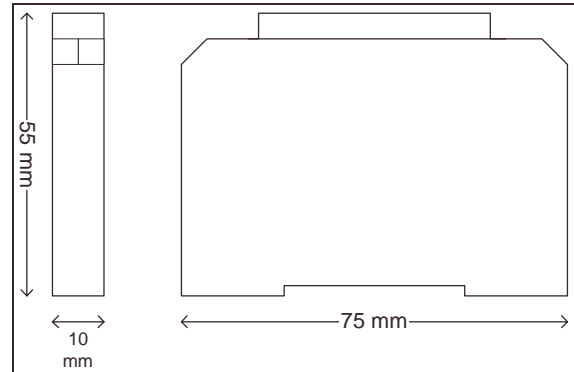
General

Type of protection	IP20
Operating temperature	0 – 60 °C
Storing temperature	-20 – + 70 °C
Relative humidity	5 – 93 %
Dimension	10 * 75 * 55mm
	DIN rail mounting

LON Interface

Connector	screw clamp 0.5 – 2.5 mm ²
-----------	---------------------------------------

DIMENSIONAL DRAWING



WIRING DIAGRAM

