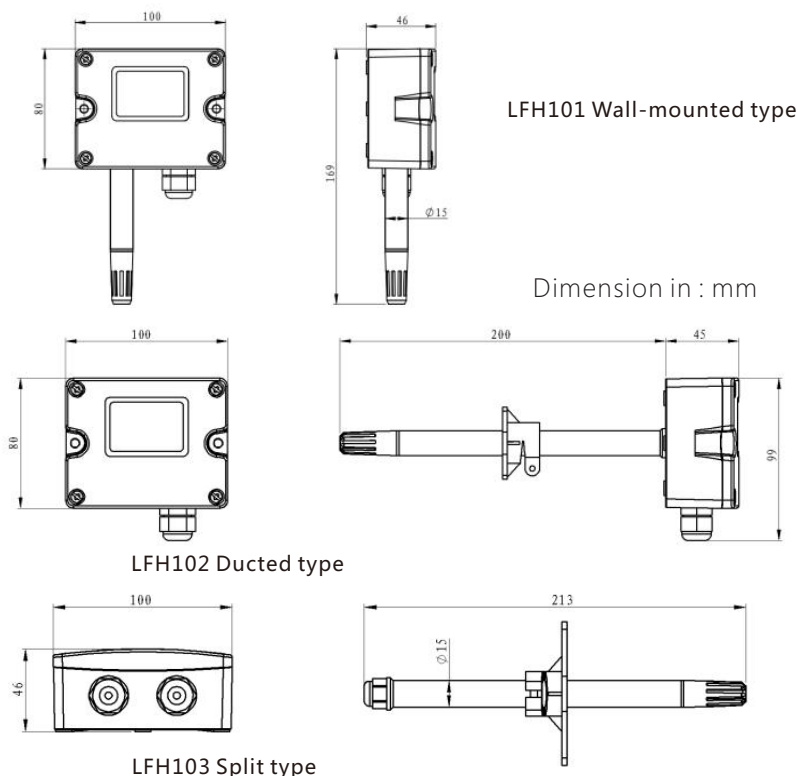


LEFOO



LFH10

Temperature and Humidity Transmitter



The LFH10 series temperature humidity transmitter is a sensor specially designed for industrial applications. It is specially designed for lightning surge, electrostatic discharge, group pulse, pressure resistance, etc., and has strong anti-interference ability. There are five installation methods: wall mounted, duct/water pipe, split, and clamp. Three output modes of current, voltage, and thermal resistance are optional. Strong on-site installation capability. Spring screws and terminal posts are designed for quick installation. It can be widely used in computer rooms, HVAC, buildings, storage and other places where temperature and humidity measurement and control are required.

LFH10 Series Order Ref NO

LFH10 - 2 A4 3 1 1

A B C D E

A Accuracy Range	B Humidity Output	C Temperature Output	D Temperature Range	E Display Mode
2=±2%RH(0.3℃)	V10=0~10VDC(Three-wired)	V10=0~10VDC(Three-wired)	0=NO	0=No display
3=±3%RH(0.3℃)	A4=4~20mA(Two-wired)	A4=4~20mA(Two-wired)	1=0~50℃	1=LCD display
	RS=RS485/Modbus	RS=RS485/Modbus	2=-20~60℃	
		0=PT1000,±0.2℃@0℃	8=Others(customer specified)	
		1=PT100,±0.2℃@0℃		
		2=NTC20K,±0.4℃@25℃		
		3=Ni 1000,±0.4℃@25℃		
		4=NTC10K-II,±0.4℃@25℃		
		5=NTC10K-III,±0.4℃@25℃		
		6=NTC10K-A,±0.4℃@25℃		

Specification

1 Relative Humidity	
Transducer	Digital
Measuring Range	0%~100%RH
Output	RS485/Modbus, 0~10VDC, 4~20mA optional
Accuracy	±3%@ 25@&20~80%RH
Response time	≤10s(25℃,Slow flow air)
2 Temperature	
Transducer	Digital or thermal resistance,see selection table
Measuring Range	0~50℃,-20~60℃,etc.
Output	4~20mA,0~10VDC,RS485/Modbus optional
Thermal Resistance	See selection table and thermal resistance indexing table
Accuracy	Digital type: ±0.3℃@5~60℃ Thermal resistance:typical±0.2~0.4℃@25℃,see selection table
Power Supply	Voltage type/485 type,15~35VDC/24VAC±20% Current type:18.5~35VDC (RL=500Ω) /8.5~35VDC(RL=0Ω)
Output Load	≤500Ω(Current type),≥2KΩ(voltage type)
Display	LCD display optional, with unit display and backlight (4~20mA without backlight)
Shell Material	PC housing, PC probe and polymer filter (stainless steel probe and stainless steel sintered filter optional)
Working Environmen	-20~60℃,5%-95%RH (Non-condensing)
Protection Grade	Ip65