

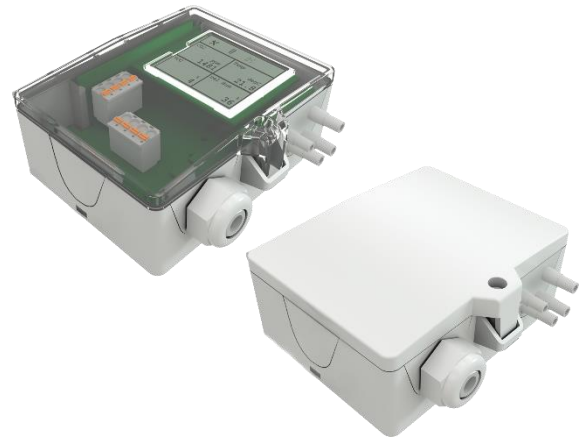
# » DPA+ Dual | DPA+ LCD Dual RS485 Modbus

Differential Pressure Transmitter

**thermokon**<sup>®</sup>  
HOME OF SENSOR TECHNOLOGY

## Datasheet

Subject to technical alteration  
Issue date: 21.03.2019 • A100



The following illustrations show the version with LCD

## » APPLICATION

Differential pressure and volume flow transducer for monitoring differential pressure and volume flow of air and other non-flammable and non-aggressive gases. LCD models with RGB background light have a transparent cover. Display configuration, k-values for flow calculation (default 1500) and threshold values for color changes can be parameterized via Thermokon USEapp. The option with 2 inputs for floating contacts or a NTC10k allow a variety of applications. The mounting base (included in delivery) allows mounting on a level surface or mounting on DIN rail TS35 (35x7,5 mm) according to EN 60715.

## » TYPES AVAILABLE

### Differential pressure and volume flow transducer optional with display – RS485 Modbus

DPAx+ Dual RS485 Modbus MultiRange <AZ>  
DPAx+ LCD Dual RS485 Modbus MultiRange <AZ>

### Differential pressure and volume flow transducer optional with display and 2 digital inputs – RS485 Modbus

DPAx+ Dual RS485 Modbus MultiRange <AZ> 2IN  
DPAx+ LCD Dual RS485 Modbus MultiRange <AZ> 2IN

x: 250 | 2500 | 7000

MultiRange: Measuring ranges adjustable at the transducer  
<AZ>: automatic zero-point calibration (optional)

## » SECURITY ADVICE – CAUTION



The installation and assembly of electrical equipment should only be performed by authorized personnel.

The product should only be used for the intended application. Unauthorised modifications are prohibited! The product must not be used in relation with any equipment that in case of a failure may threaten, directly or indirectly, human health or life or result in danger to human beings, animals or assets. Ensure all power is disconnected before installing. Do not connect to live/operating equipment.

Please comply with

- Local laws, health & safety regulations, technical standards and regulations
- Condition of the device at the time of installation, to ensure safe installation
- This data sheet and installation manual

» **NOTES ON DISPOSAL**

As a component of a large-scale fixed installation, Thermokon products are intended to be used permanently as part of a building or a structure at a pre-defined and dedicated location, hence the Waste Electrical and Electronic Act (WEEE) is not applicable. However, most of the products may contain valuable materials that should be recycled and not disposed of as domestic waste. Please note the relevant regulations for local disposal.

» **TECHNICAL DATA**

<b>Measuring values</b>	differential pressure, volume flow		
<b>Medium</b>	air or other non-flammable/non-aggressive gases		
<b>Output voltage</b>	0..10 V or 0..5 V, min. load 10 kΩ (live-zero configuration via Thermokon USEapp)		
<b>Network technology</b>	RS485 Modbus, RTU, half-duplex, baud rate 9.600, 19.200, 38.400 or 57600, parity: none (2 stopbits), even or odd (1 stopbit)		
<b>Power supply</b>	15..35 V = or 19..29 V ~		
<b>Power consumption</b>	max. 2,3 W (24 V =)   max. 4,3 VA (24 V ~)		
<b>Measuring range velocity</b>	0... 750.000 m³/h (default), optionally configured via Thermokon USEapp		
<b>Measuring range pressure</b> *selectable at the device	<b>type 250</b> 0..+25   0..+50   0..+100   0..+250   -25..+25   -50..+50   - 100..+100   -150..+150 Pa	<b>type 2500</b> -100..+100   0..+100   0..+250   0..+500   0..+1000   0..+1500   0..+2000   0..+2500 Pa	<b>type 7000</b> 0..+1000   0..+1500   0..+2000   0..+2500   0..+3000   0..+4000   0..+5000   0..+7000 Pa
<b>Accuracy pressure</b> *deviation from calibration reference device (calibrator)	±1 Pa at range <250 Pa	±5 Pa at range <500 Pa, ±10 Pa at range >500 Pa,	±10 Pa at range <2000 Pa, ±25 Pa at range >2000 Pa
<b>Max. working overpressure</b>	40 kPa		
<b>Calibration</b>	manually, automatic zero-point calibration (optional)		
<b>Sensor</b>	piezo measuring element		
<b>Inputs</b> (optional)	<b>2IN</b> 2x input for NTC10k or floating contact		
<b>Display</b> (optional)	LCD 29x35 mm with RGB backlight units, pressure: Pa, inchWC, volume flow: m³/h, cfm (configurable)		
<b>Enclosure</b> (type-dependent)	<b>without LCD</b> enclosure USE-L, PC, pure white, with removable cable entry	<b>with LCD</b> enclosure USE-L, PC, pure white, cover PC, transparent, with removable cable entry	
<b>Protection</b>	IP65 according to EN 60529		
<b>Cable entry</b>	M25, for wire max. Ø=7 mm, seal insert for fourfold cable entry		
<b>Connection electrical</b>	<b>Mainboard</b> removable plug-in terminal, max. 2,5 mm²	<b>Plug-in card</b> removable plug-in terminal, max. 1,5 mm²	
<b>Connection mechanical</b>	pressure connection male Ø=5,0 mm / Ø=6,3 mm, connection tube: PVC, soft		
<b>Ambient condition</b>	-10..+50 °C, max. 85% rH short term condensation		
<b>Mounting</b>	screw mounted onto flat surface, prepared for mounting on DIN rail TS35 (35x7,5 mm) according to EN 60715		

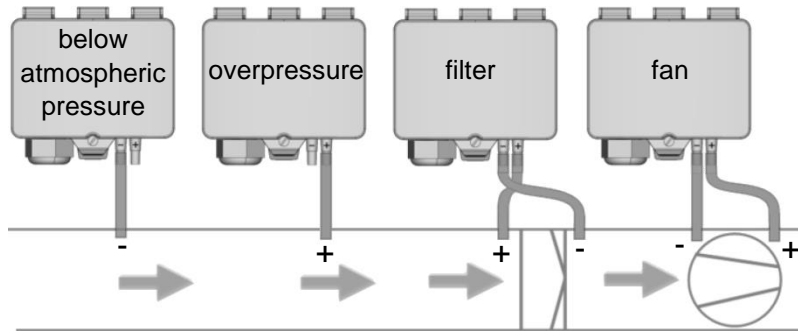
» **PRODUCT TESTING AND CERTIFICATION****Declaration of conformity**

The declaration of conformity of the products can be found on our website <https://www.thermokon.de/>.

» **MOUNTING ADVICES**

Before installing the device, please check the leak tightness of the pressure lines. A prerequisite for the operation is a proper installation of all electrical supply, control and sensing leads as well as the pressurized connection line.

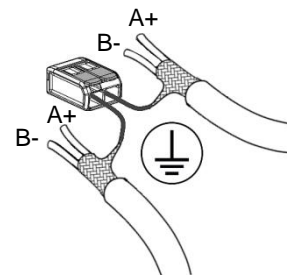
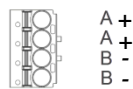
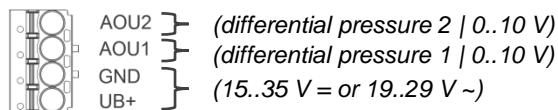
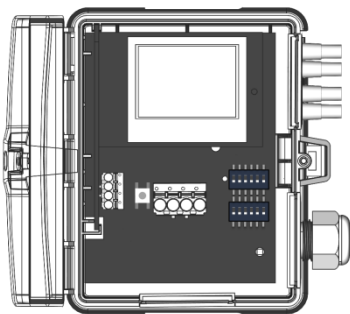
- In order to connect the device, the process lines must be unpressurized
- Consider the suitability of the device for the medium to be measured
- Consider maximum pressures



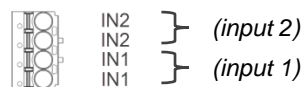
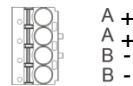
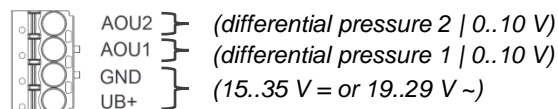
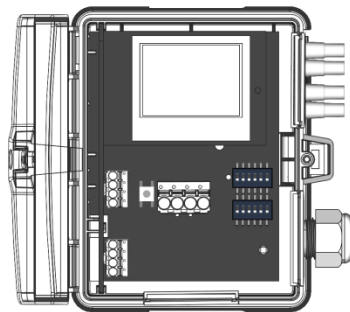
» **CONNECTION PLAN**

RS485 cable is looped through, connect both cable shields using the enclosed 2-pol. connect terminal as shown.

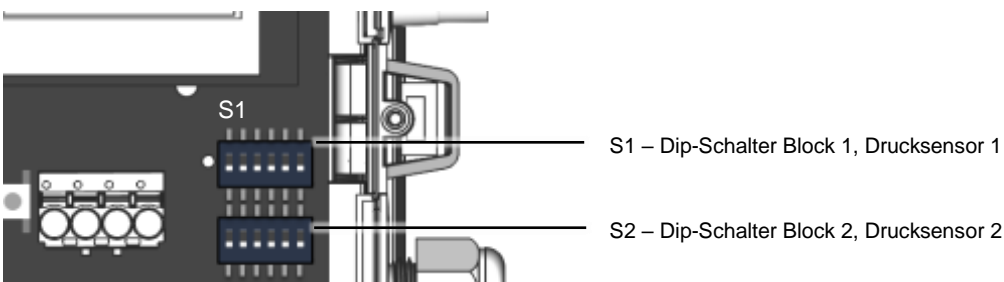
DPA+ Dual LCD RS485 Modbus MultiRange



DPA+ Dual LCD RS485 Modbus MultiRange 2IN



Dip switch, pressure sensor (2x)



Measuring range adjustment – type 250 | 2500 | 7000

<b>ON</b> 1 2 3	<b>ON</b> 1 2 3	<b>ON</b> 1 2 3	<b>ON</b> 1 2 3	<b>ON</b> 1 2 3	<b>ON</b> 1 2 3	<b>ON</b> 1 2 3	<b>ON</b> 1 2 3	<input type="checkbox"/> = ON <input type="checkbox"/> = OFF
0..+250	0..+100	0..+50	0..+25	-25..+25	-50..+50	-100..+100	-150..+150	Pa
0..+2500	0..+2000	0..+1500	0..+1000	0..+500	0..+250	0..+100	-100..+100	Pa
0..+7000	0..+5000	0..+4000	0..+3000	0..+2500	0..+2000	0..+1500	0..+1000	Pa
0..+1	0..+0.4	0..+0.2	0..+0.1	-0.1..+0.1	-0.2..+0.2	-0.4..+0.4	-0.6..+0.6	inchWC
0..+10	0..+8	0..+6	0..+4	0..+2	0..+1	0..+0.4	-0.4..+0.4	inchWC
0..+28	0..+20	0..+16	0..+12	0..+10	0..+8	0..+6	0..+4	inchWC

default

<b>Response time</b>		<b>Output voltage</b>		<b>Unit</b>	
<b>ON</b> 4	<b>ON</b> 4	<b>ON</b> 5	<b>ON</b> 5	<b>ON</b> 6	<b>ON</b> 6
0,8 sec	4,0 sec	0..10 V	0..5 V	Pa	inchWC
default		default		default	

Dip switches, plug-in card

The modbus address of the device is set in the range of 1 ... 31 (binary encoded) using a 5-pole DIP switch. With address 0 via DIP, an extended address range (32..247) is available via USEapp.

**Address**

<b>ON</b> 1	<b>ON</b> 2	<b>ON</b> 3	<b>ON</b> 4	<b>ON</b> 5
ON=2 <sup>0</sup> (1)	ON=2 <sup>1</sup> (2)	ON=2 <sup>2</sup> (4)	ON=2 <sup>3</sup> (8)	ON=2 <sup>4</sup> (16)

default

**Termination 120Ω**

<b>ON</b> 1	<b>ON</b> 1	<b>ON</b> 2 3	<b>ON</b> 2 3	<b>ON</b> 2 3	<b>ON</b> 2 3	<b>ON</b> 4 5	<b>ON</b> 4 5	<b>ON</b> 4 5
deactivated	activated	9600	19200	38400	57600	None	Even	Odd

default

**Baud rate**

**Parity**

Flow calculation: (default parameters)

$$q = k * \sqrt{2 * \frac{\Delta p}{\rho}}$$

with k=1500, fan manufacturer Rosenberg, Comefri, Nicotra Gebhardt, default measuring range 0..750.000 m³/h.

Further calculation formulas, fan manufacturers and k-values can be selected via the USEapp.

Rosenberg · Comefri · Gebhardt · Nicotra	Ziehl-Abegg · EBM-Papst	Fläkt Woods
$q = k * \sqrt{2 * \frac{\Delta p}{\rho}}$	$q = k * \sqrt{\Delta p}$	$q = \frac{1}{k} * \sqrt{\Delta p}$

**Register 400 = 1 (Unit SI)**

Address	Access	Description	Resolution / Unit		
8	R / s16	<b>Differential pressure 1</b>	SI	1.0	Pa
9	R / u16	<b>Volumetric flow 1 (16 Bit)</b> (if register address 404 is set to the value 2, the value scales the unit m <sup>3</sup> /s)	SI	100.0	m <sup>3</sup> /h m <sup>3</sup> /s
10	R / s16	<b>Differential pressure 2</b>	SI	1.0	Pa
11	R / s16	<b>Volumetric flow 2 (16 Bit)</b> (if register address 404 is set to the value 2, the value scales the unit m <sup>3</sup> /s)	SI	100.0	m <sup>3</sup> /h m <sup>3</sup> /s
50 Low	R / u32	<b>Volumetric flow 1 (32 Bit)</b> (if register address 404 is set to the value 2, the value scales the unit m <sup>3</sup> /s) <i>This register is available since firmware V1.6 (see register 505)</i>	SI	1.0	m <sup>3</sup> /h m <sup>3</sup> /s
51 High					
52 Low	R / u32	<b>Volumetric flow 2 (32 Bit)</b> (if register address 404 is set to the value 2, the value scales the unit m <sup>3</sup> /s) <i>This register is available since firmware V1.6 (see register 505)</i>	SI	1.0	m <sup>3</sup> /h m <sup>3</sup> /s
53 High					

**Register 400 = 2 (Unit Imperial)**

Address	Access	Description	Resolution / Unit		
8	R / s16	<b>Differential pressure 1</b>	Imperial	0.001	inWC
9	R / u16	<b>Volumetric flow 1 (16 Bit)</b> (if register address 404 is set to the value 2, the value scales the unit m <sup>3</sup> /s)	Imperial	10.0	cfm
10	R / s16	<b>Differential pressure 2</b>	Imperial	0.001	inWC
11	R / u16	<b>Volumetric flow 2 (16 Bit)</b> (if register address 404 is set to the value 2, the value scales the unit m <sup>3</sup> /s)	Imperial	10.0	cfm
50 Low	R / u32	<b>Volumetric flow 1 (32 Bit)</b> (if register address 404 is set to the value 2, the value scales the unit m <sup>3</sup> /s) <i>This register is available since firmware V1.6 (see register 505)</i>	Imperial	1.0	cfm
51 High					
52 Low	R / u32	<b>Volumetric flow 2 (32 Bit)</b> (if register address 404 is set to the value 2, the value scales the unit m <sup>3</sup> /s) <i>This register is available since firmware V1.6 (see register 505)</i>	Imperial	1.0	cfm
53 High					

**Optional (IN1 | IN2)**

NTC10k temperature sensors or floating contacts can be connected to the inputs (IN1 & IN2).

Address	Access	Description	Values	
92	R / s16	Input 1 – Switch contact	0	Contact open
93	R / s16	Input 2 – Switch contact	1	Contact closed

**Register 400 = 1 (Unit SI)**

Address	Access	Description	Resolution / Unit		
90	R / s16	Input 1 - Temperature NTC10k (beta value configurable, register address 490, default: 3864)	SI	0.1	°C
91	R / s16	Input 2 - Temperature NTC10k (beta value configurable, register address 491, default: 3864)	SI	0.1	°C

**Register 400 = 2 (Unit Imperial)**

Address	Access	Description	Resolution / Unit		
90	R / s16	Input 1 - Temperature NTC10k (beta value configurable, register address 490, default: 3864)	Imperial	0.1	°F
91	R / s16	Input 2 - Temperature NTC10k (beta value configurable, register address 491, default: 3864)	Imperial	0.1	°F

**Modbus addresses:**

USE-RS485 Modbus Interface

A detailed description of the Modbus addresses can be found under the following link:

→ [Download](#)

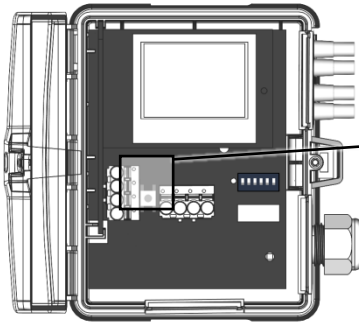
## » AUTOMATIC ZERO-POINT CORRECTION - (OPTIONAL)



**Transmitters equipped with the auto-zero correction are maintenance free.**

The auto-zero correction electronically adjusts the transmitter zero every 10 minutes. The function eliminates all output signal drift due to thermal, electronic or mechanical effects. The auto-zero correction takes approx. 4 seconds after which the device returns to its normal measuring mode. During the 4 second correction period, the output and display values will freeze to the latest measured value.

## » MANUAL ZERO-POINT CORRECTION (FOR DEVICES WITHOUT AUTO-ZERO FUNCTION)



In normal operation zero point correction should be executed every 12 months.

**Attention! For executing zero point correction the power supply must be connected one hour before.**

- Release both connection tubes from the pressure terminals + and -
- Press the button until the LED lights permanently
- Wait until the LED flashes again and reinstall the connection tubes to the pressure ports (note + and -)

## » CONFIGURATION



The Thermokon bluetooth dongle with micro-USB is required for communication between USEapp and USE-M / USE L (Item No.: 668262). Commercial bluetooth dongles are not compatible.

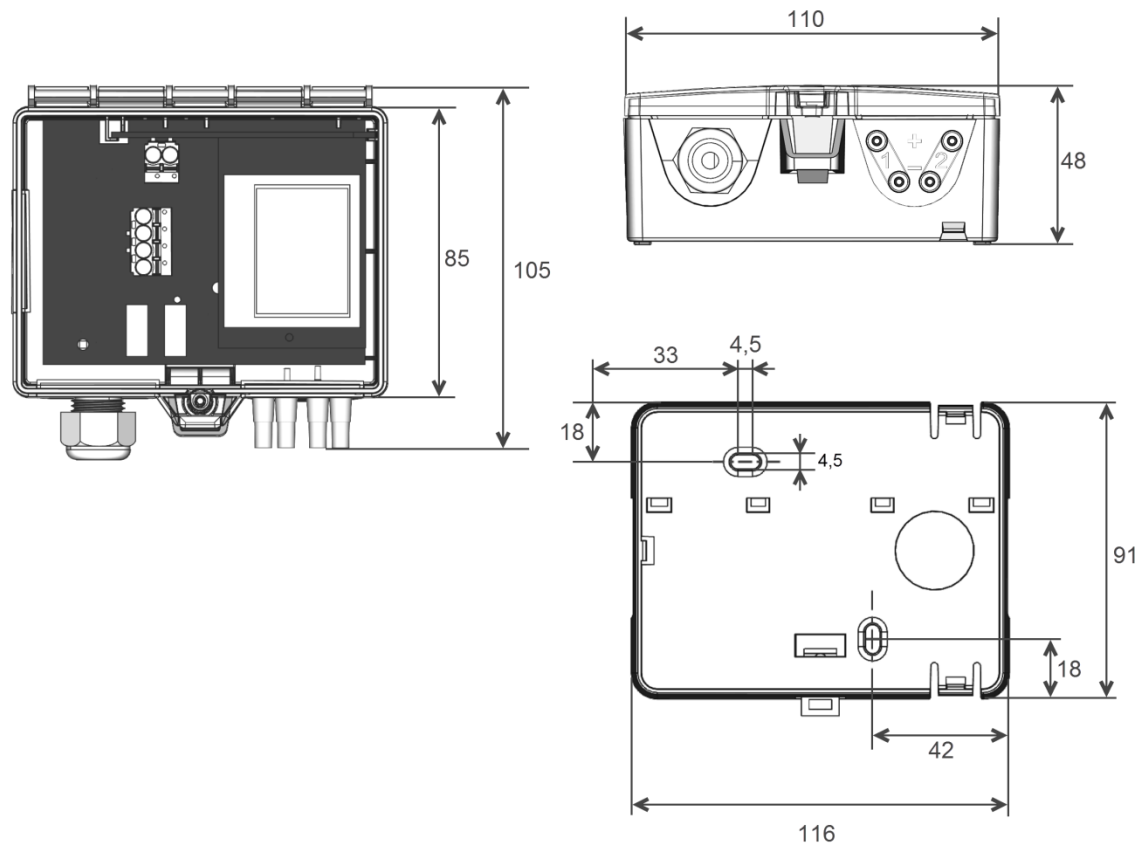


Application-specific reconfiguration of the devices can be carried out using the Thermokon USEapp. The configuration is carried out in the voltage-supplied state.



The configuration-app and the app description can be found in the Google Play Store or in the Apple App Store.

## » DIMENSIONS (MM)



## » ACCESSORIES (INCLUDED IN DELIVERY)

Mounting base enclosure USE-L

2x 2 m PVC connection tube

2x KKS40 kit

• 2 plastic duct flanges • 4 mounting screws 4x20

Item No. 668361

Item No. 484268

Item No. 430135

Mounting kit universal

• Cover screw + screw cover • 2 Rawlplugs • 2 Screws (countersunk head) • 2 Screws (rounded head)

Item No. 698511

## » ACCESSORIES (OPTIONAL)

Bluetooth dongle USE for USEapp

Converter RS485 Modbus-USB incl. driver CD

T-hose connector for pressure hoses  $\varnothing=4$  mm (10 pcs)

Adapter 90° angle for pressure hoses  $\varnothing=4$  mm

Metal duct connectors 40 mm

Metal duct connectors 100 mm

Item No. 668262

Item No. 668293

Item No. 668323

Item No. 668330

Item No. 265138

Item No. 302531